

FRONT VIEW

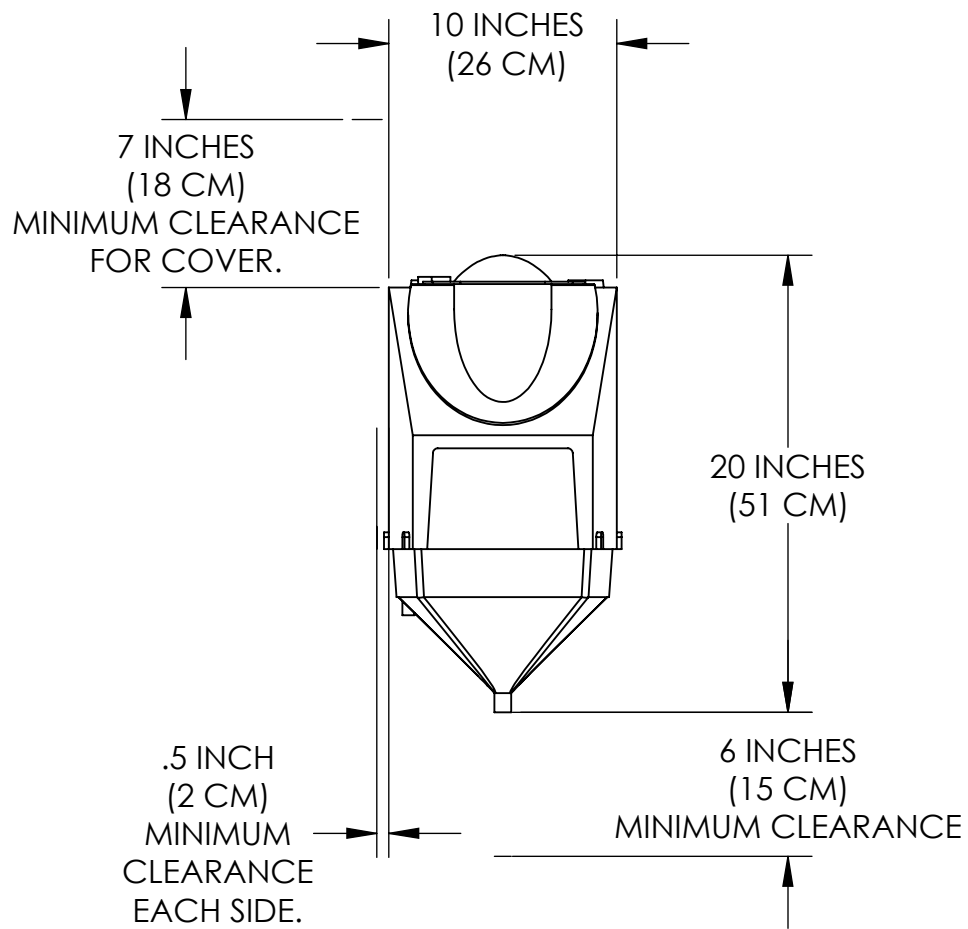
NOTES:

1. THE ELECTRICAL OUTLET AND WATER LINE ARE NOT PROVIDED BY, OR INSTALLED BY, ECOLAB ASSOCIATES.
2. ASSURE A MINIMUM OF 24 INCHES (61 CM) CLEAR SPACE IN FRONT OF THE MOUNTING SURFACE FOR DISPENSER MAINTENANCE AND SERVICE.
3. EACH OPTIPRO ENZYME AND NEYTRAL DETERGENT DISPENSER IS APPROXIMATELY 8 POUNDS IN WEIGHT, AND WHEN LOADED WITH PRODUCT WEIGHS APROXIMATELY 15 POUNDS.

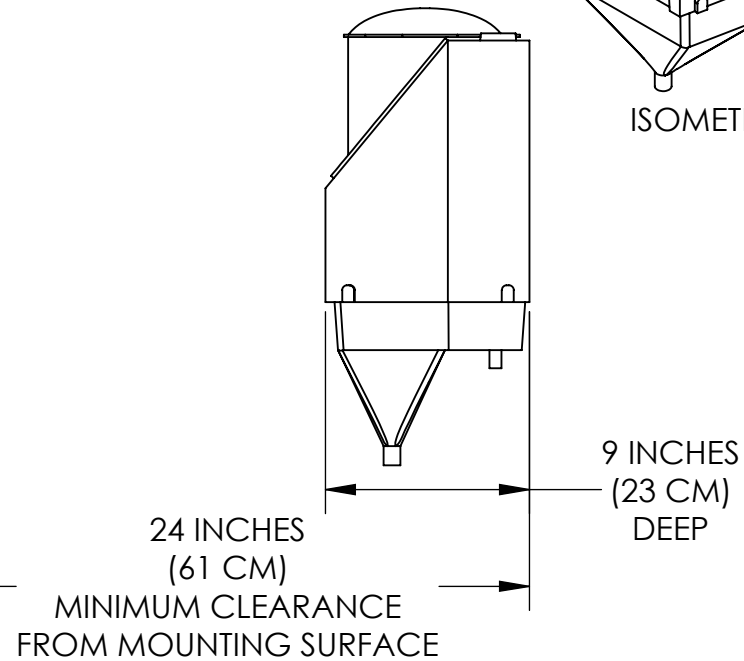
ECOLAB[®]

*Ecolab Research Center
Dispensing System Engineering
655 Lone Oak Drive, Eagan, MN 55121*

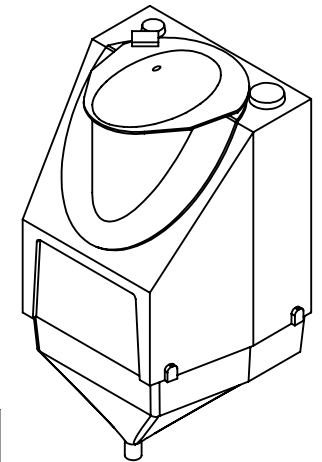
9202-1108
PAGE 1 OF 2
OPTIPRO INSTALLED
DEC/09/2011



FRONT VIEW



SIDE VIEW



ISOMETRIC VIEW

TYPICAL DISPENSER AND CLEARANCE DIMENSIONS

ECOLAB[®]

*Ecolab Research Center
Dispensing System Engineering
655 Lone Oak Drive, Eagan, MN 55121*

9202-1108
PAGE 2 OF 2
OPTIPRO
DISPENSER

DEC/09/2011